

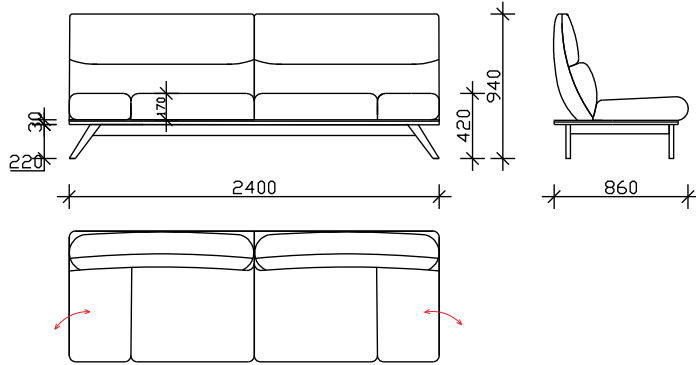
VANITY SOFA

- BACK & SEATING CUSHIONS MADE OF EXPANDED UNDERFORMABLE H.R POLYURETHANE
- WOODEN BASE h-22cm. HIGH

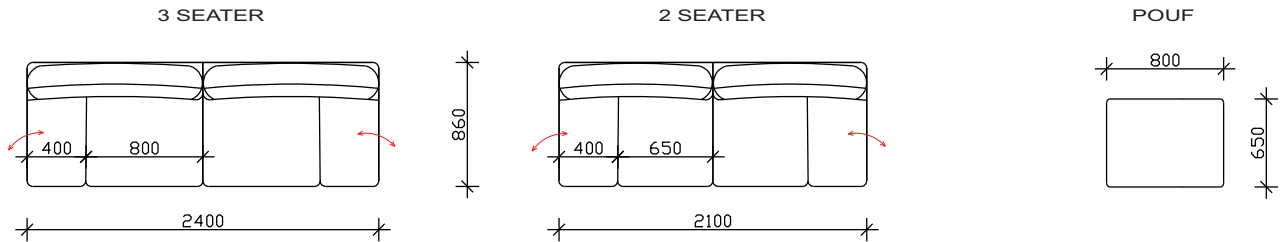


***NOTICE : ALLOWED UPHOLSTERED DIMENSION +/- 2cm.

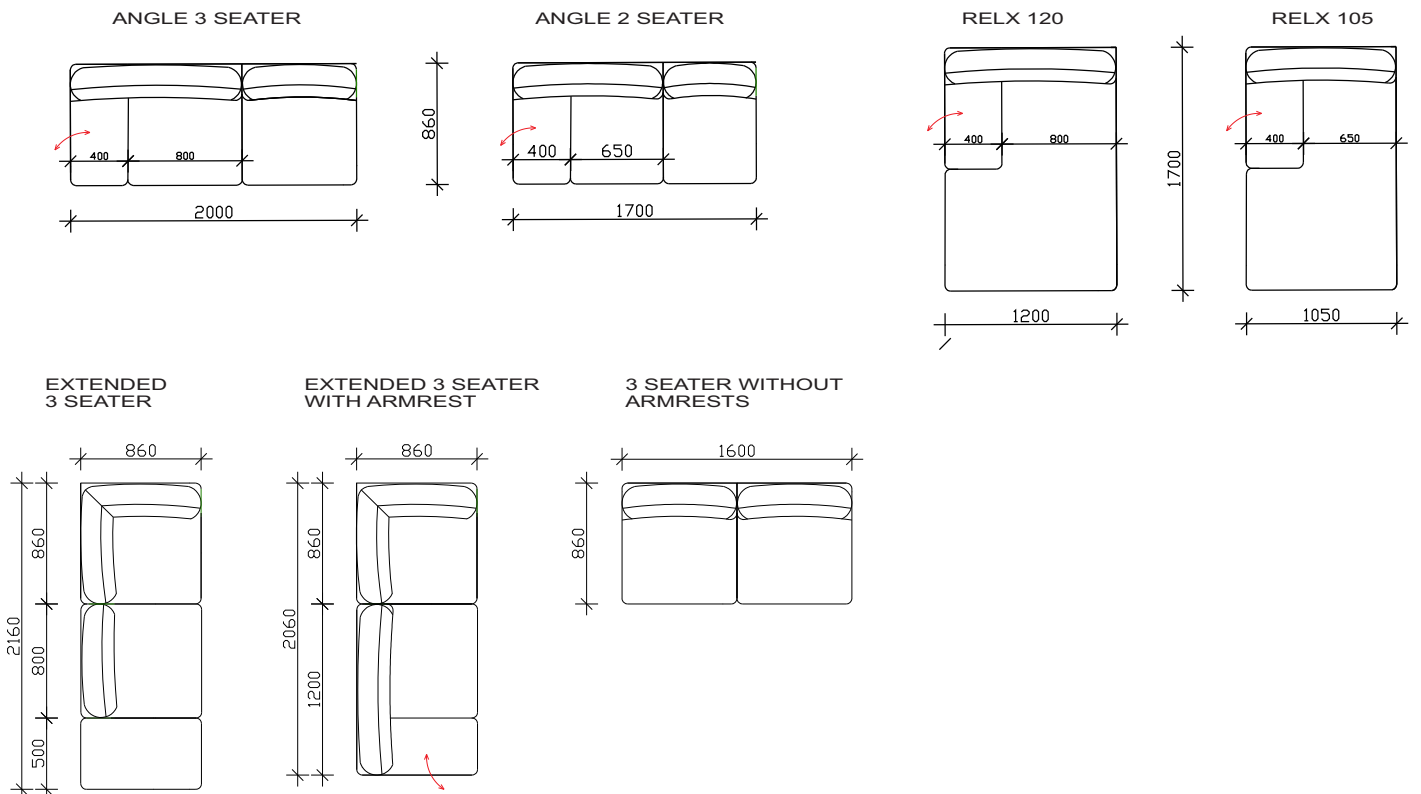
VIEWS



SOFA ELEMENTS



ANGLE ELEMENTS



VANITY SOFA

- BACK & SEATING CUSHIONS MADE OF EXPANDED UNDERFORMABLE H.R POLYURETHANE
- WOODEN BASE h-22cm. HIGH

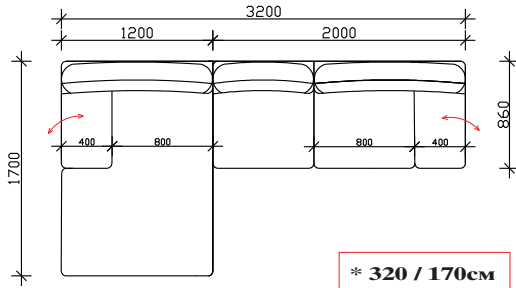


***NOTICE : ALLOWED UPHOLSTERED DIMENSION +/- 2cm.

COMBINATIONS

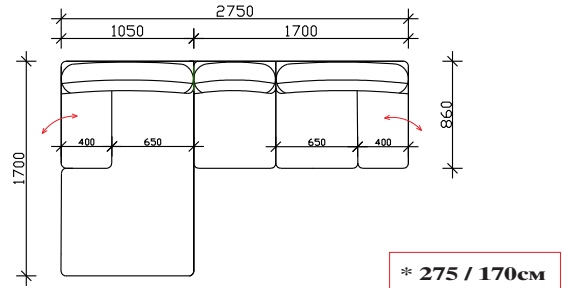
RELX 120

ANGLE
3 SEATER



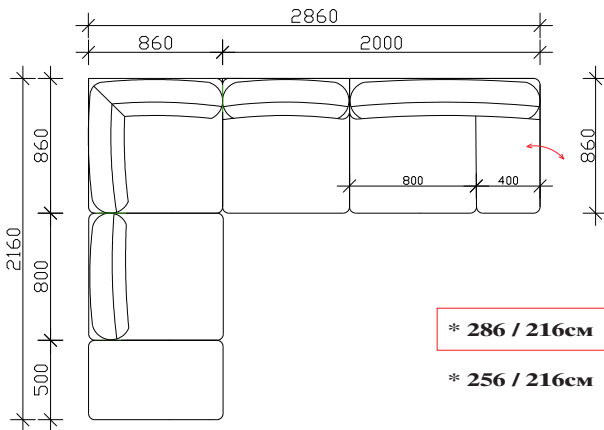
RELX 105

ANGLE
2 SEATER



EXTENDED
3 SEATER

ANGLE
3 SEATER



EXTENDED 3 SEATER
WITH ARMREST

ANGLE
2 SEATER

