

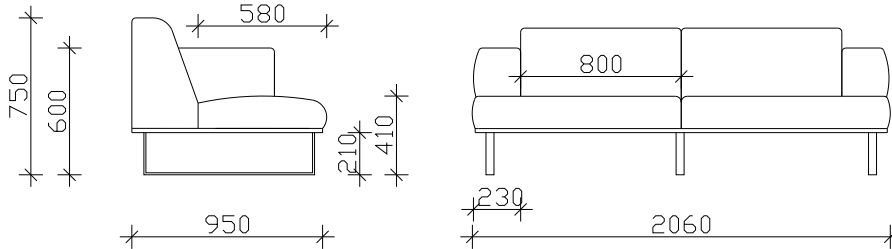
ALLURE

- BACK & SEATING CUSHIONS MADE OF EXPANDED UNDERFORMABLE H.R POLYURETHANE IN COVER, FILLED UP WITH GROUND POLYURETHANE AND SILICONE GRANULES
- METAL LEG h-15.5cm. HIGH



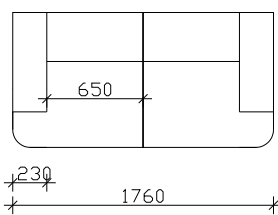
***NOTICE : ALLOWED UPHOLSTERED DIMENSION +/- 2cm.

VIEWS

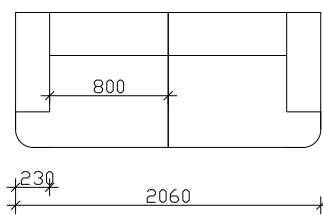


SOFA ELEMENTS

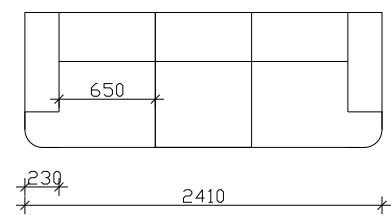
2 SEATER



3 SEATER

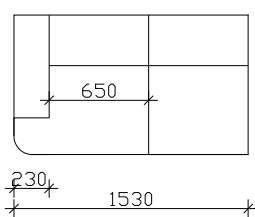


4 SEATER

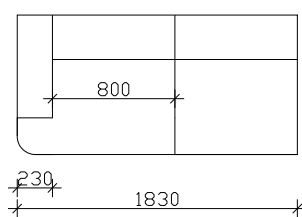


ANGLE ELEMENTS

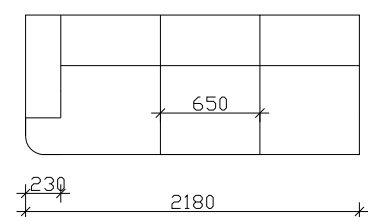
ANGLE 2 SEATER



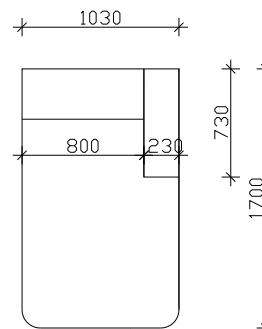
ANGLE 3 SEATER



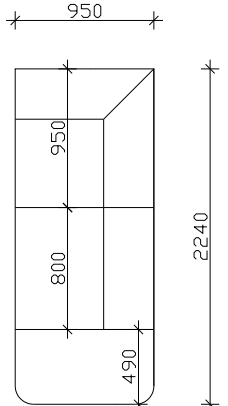
ANGLE 4 SEATER



RELAX



EXTENDED 3 SEATER



ALLURE

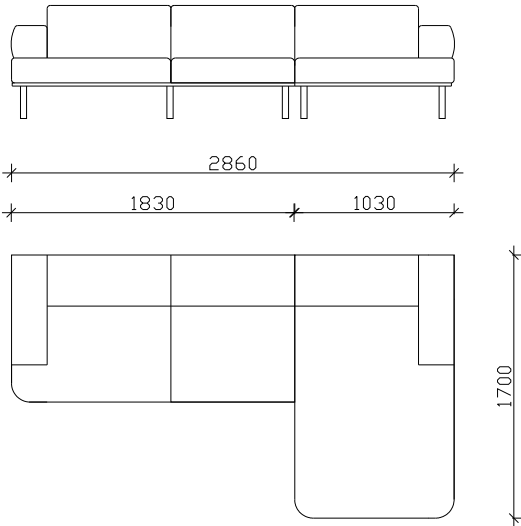
- BACK & SEATING CUSHIONS MADE OF EXPANDED UNDERFORMABLE H.R POLYURETHANE IN COVER, FILLED UP WITH GROUND POLYURETHANE AND SILICONE GRANULES
- METAL LEG h-15.5cm. HIGH



***NOTICE : ALLOWED UPHOLSTERED DIMENSION +/- 2cm.

COMBINATIONS

ANGLE 3 SEATER + RELAX

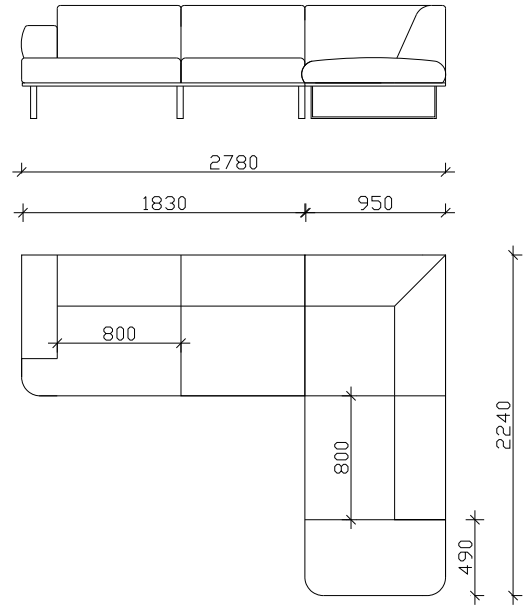


* 265 / 170cm

* 286 / 170cm

* 321 / 170cm

ANGLE 3 SEATER + EXTENDED 3 SEATER



* 248 / 225cm

* 278 / 225cm

* 313 / 225cm