

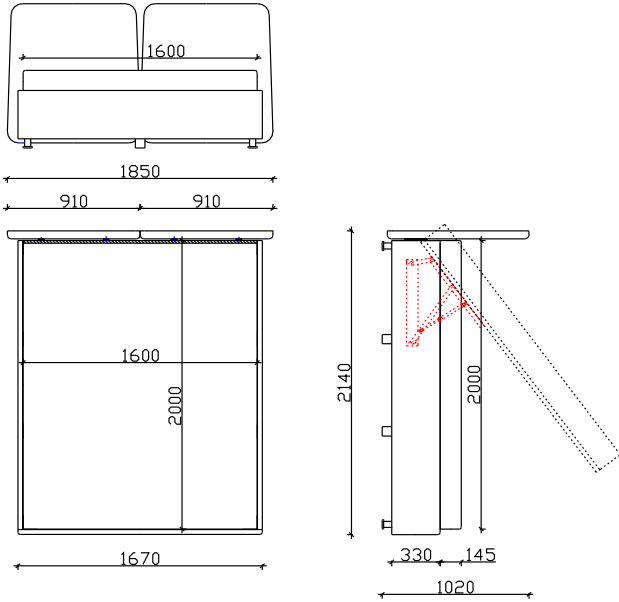
# BED VARIETY

- POSSIBILITY WITH BEDDING CASE
- METAL LEGS - SPK 08 h-6.5cm
- HYDRAULIC MECHANISM

\*\*\* NOTICE: ALLOWED UPHOLSTERED DIMENSION +/- 2cm



## VIEWS



## BEDS

