

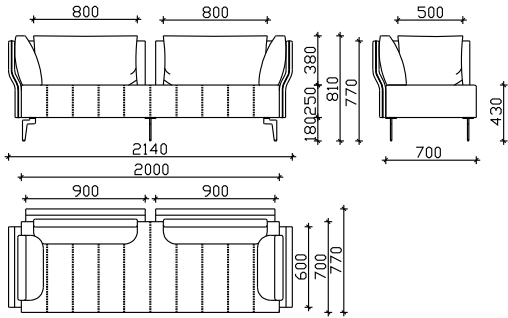
HOPE

- FIXED UPHOLSTERY
- SEATING MADE OF EXPANDED UNDERFORMABLE H.R. POLYURETHANE
- BACK CUSHIONS IN COVER FILLED UP WITH GROUND POLYURETHANE/SILICONE GRANULES
- METAL LEGS Moro h=18cm

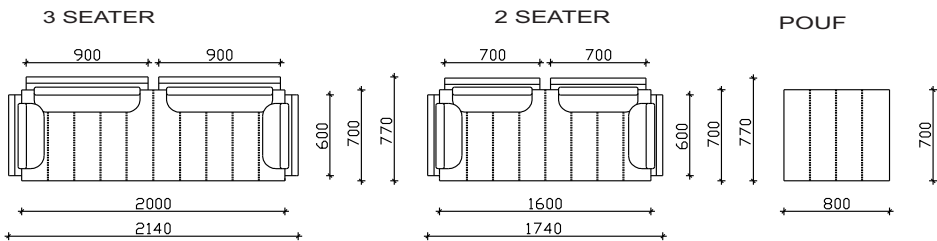


*** NOTICE : ALLOWED UPHOLSTERED DIMENSION +/- 2cm

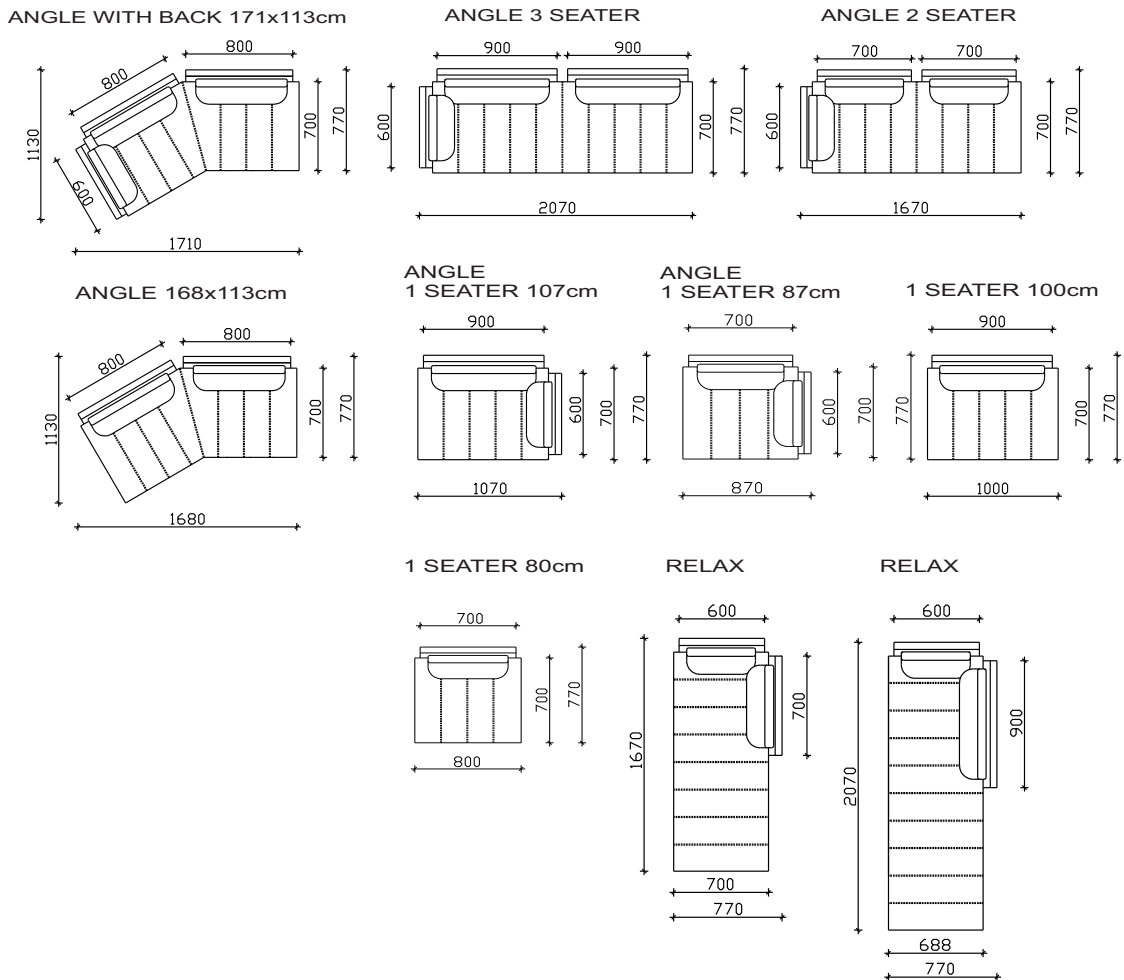
VEIWS



SOFA ELEMENTS



ANGLE ELEMENTS



HOPE

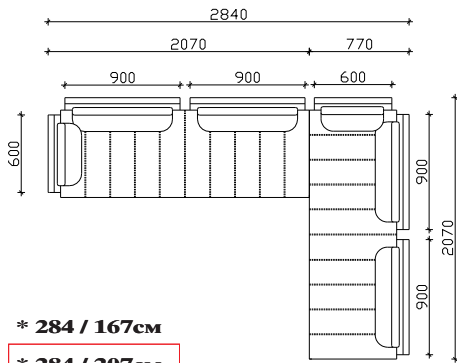
- FIXED UPHOLSTERY
- SEATING MADE OF EXPANDED UNDERFORMABLE H.R. POLYURETHANE
- BACK CUSHIONS IN COVER FILLED UP WITH GROUND POLYURETHANE/SILICONE GRANULES
- METAL LEGS Moro h=18cm



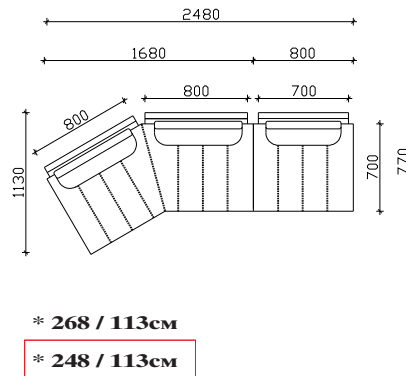
*** NOTICE : ALLOWED UPHOLSTERED DIMENSION +/- 2cm

COMBINATIONS

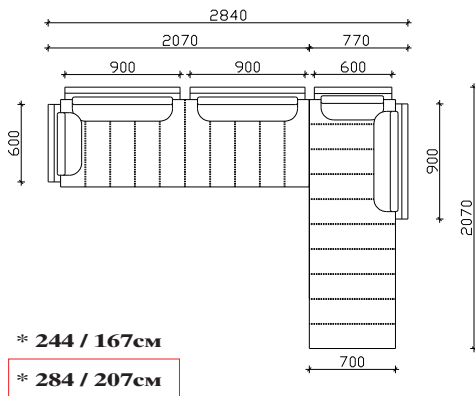
ANGLE 3 SEATER + ANGLE 3 SEATER



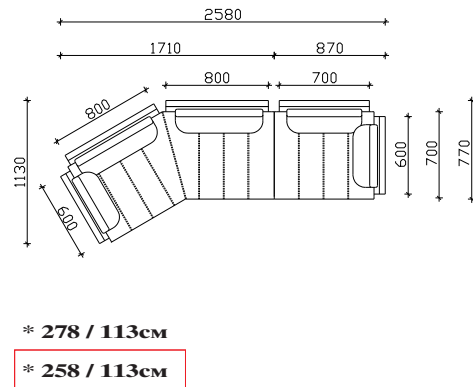
ANGLE 168x113cm + 1 SEATER 80cm



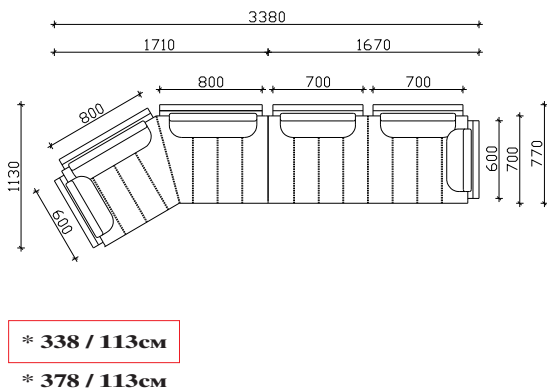
ANGLE 3 SEATER + RELAX 207cm



ANGLE WITH BACK 171x113cm + ANGLE 1 SEATER 87cm



ANGLE WITH BACK 171x113cm + ANGLE 2 SEATER 167cm



ANGLE WITH BACK 171x113cm x2

